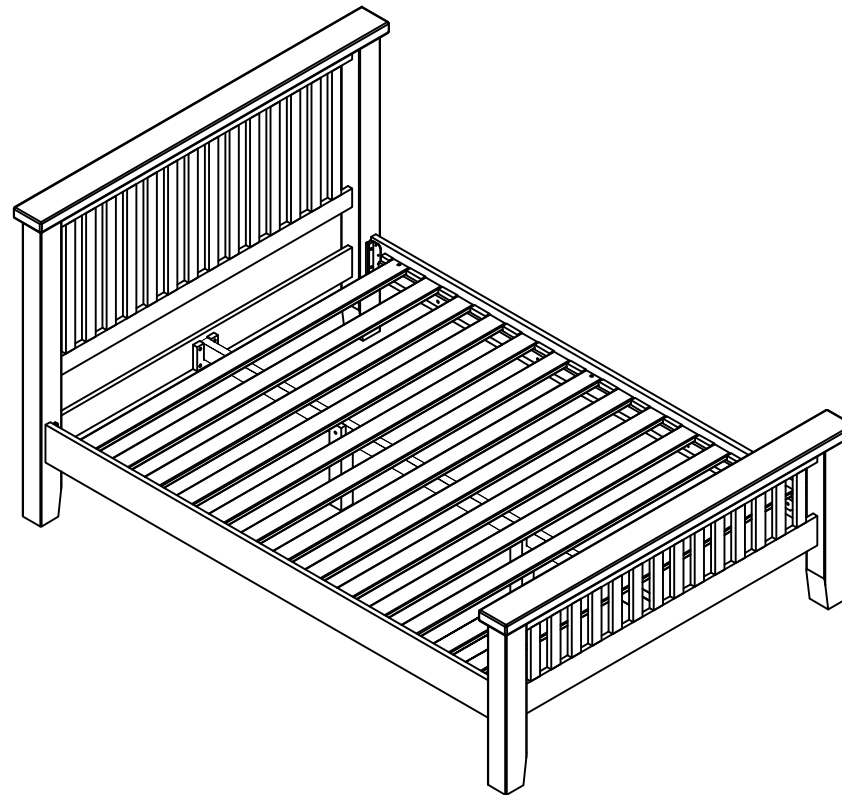


HARBOUR

LIFESTYLE

Instruction Manual for 4ft 6 High-End Double Bed Frame




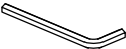
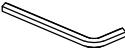


www.harbourlifestyle.co.uk

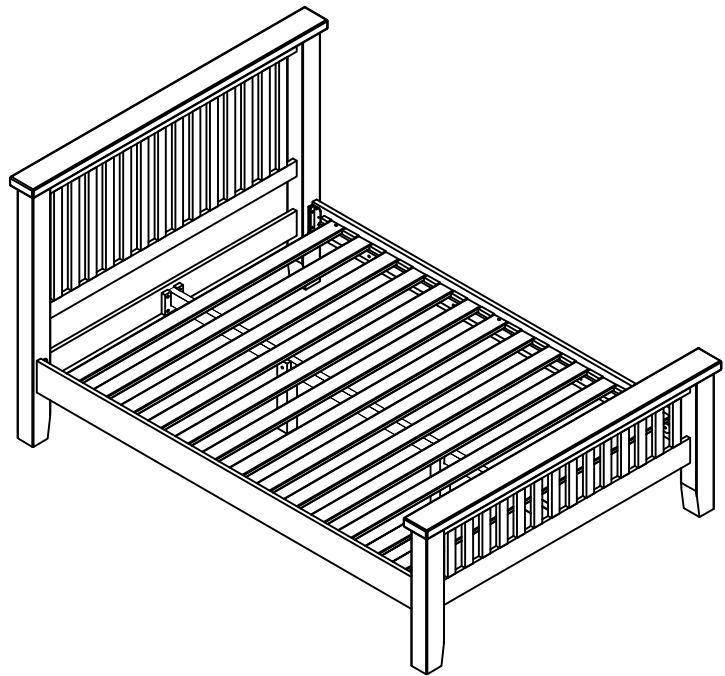
If you have any questions or require additional support, please contact the team at customerservices@harbourlifestyle.co.uk. Alternatively you can contact us via telephone on 0330 808 1744.

ASSEMBLY INSTRUCTION

4FT 6 HIGH-END DOUBLE BED FRAME

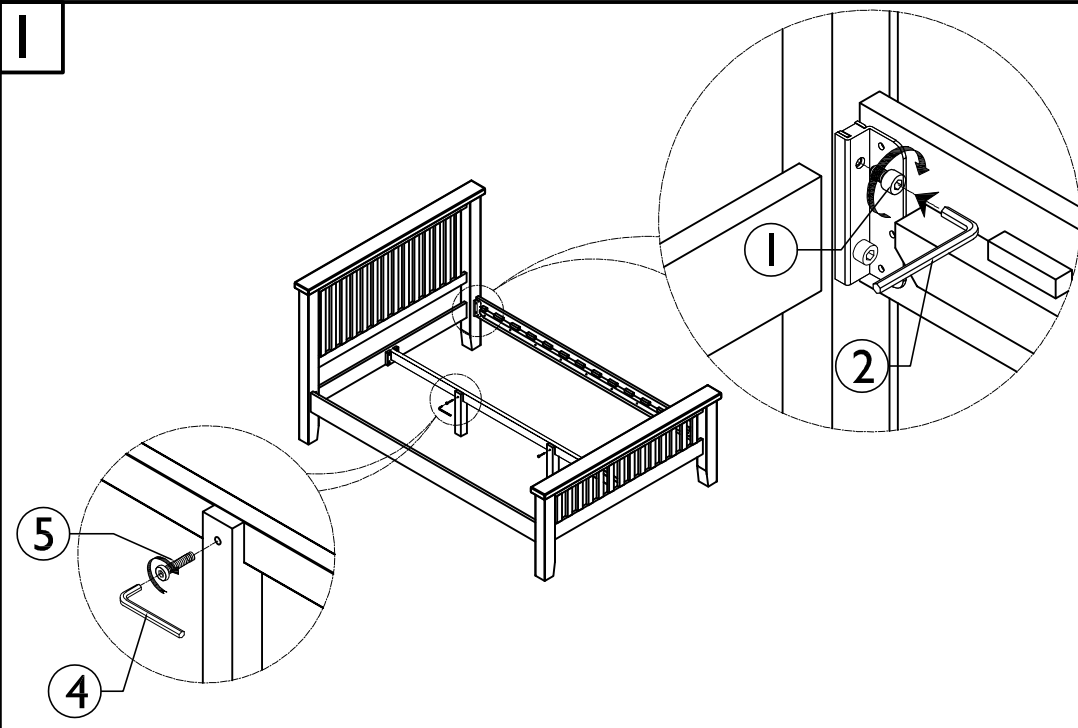
HARDWARE LIST

No	Description	QTY	No	Description	QTY
1	Bolt M6x10 	8	4	Allen Key - 4 	1
2	Allen Key - 5 	1	5	Bolt M8x40 	2
3	Screw M4x30 	6			



COMPLETE

1



2

