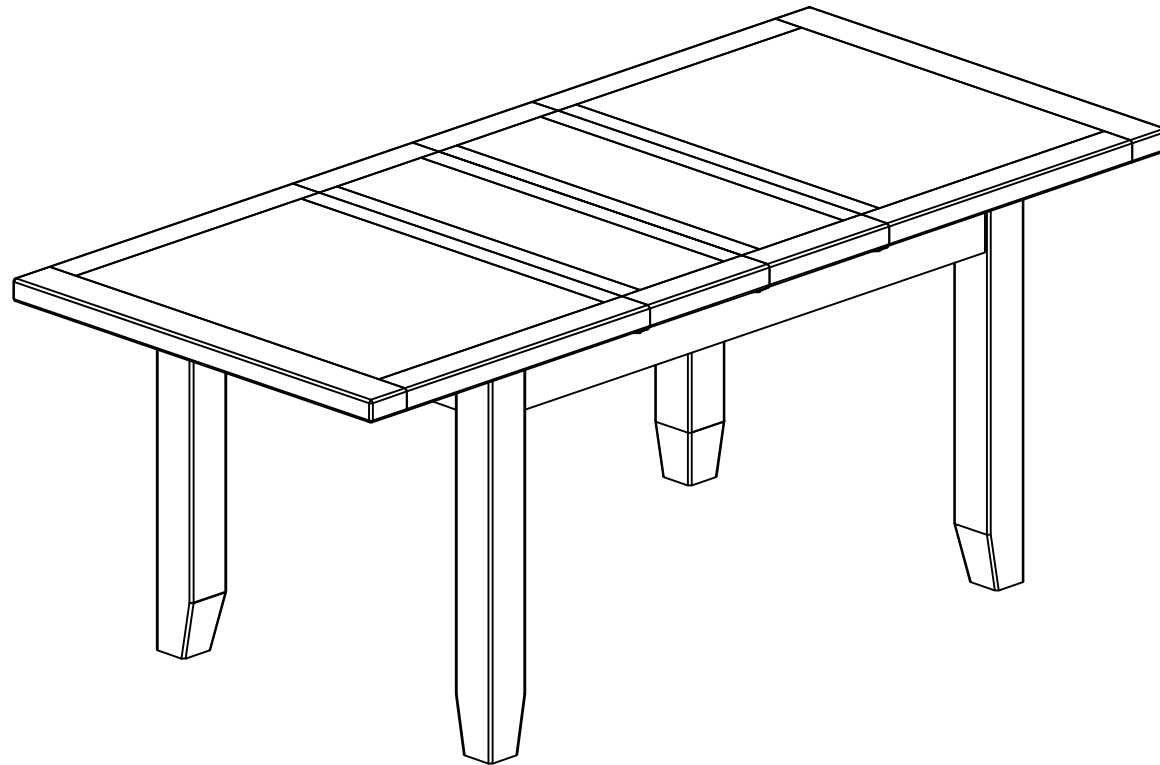


# HARBOUR

LIFESTYLE

## Instruction Manual for 4-6 Seater Extending Dining Table






[www.harbourlifestyle.co.uk](http://www.harbourlifestyle.co.uk)

If you have any questions or require additional support, please contact the team at [customerservices@harbourlifestyle.co.uk](mailto:customerservices@harbourlifestyle.co.uk). Alternatively you can contact us via telephone on 0330 808 1744.

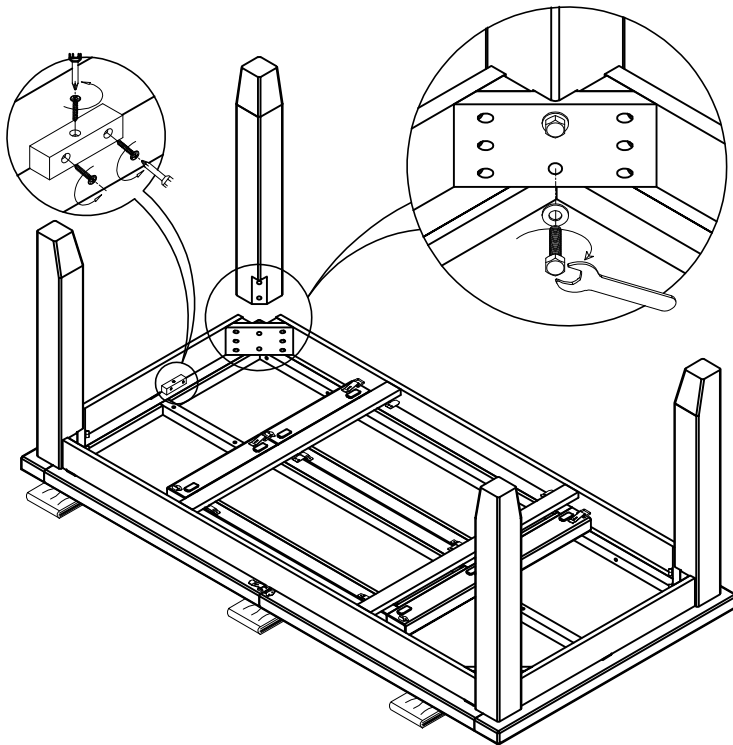
# ASSEMBLY INSTRUCTION

## 4-6 SEATER EXTENDING DINING TABLE

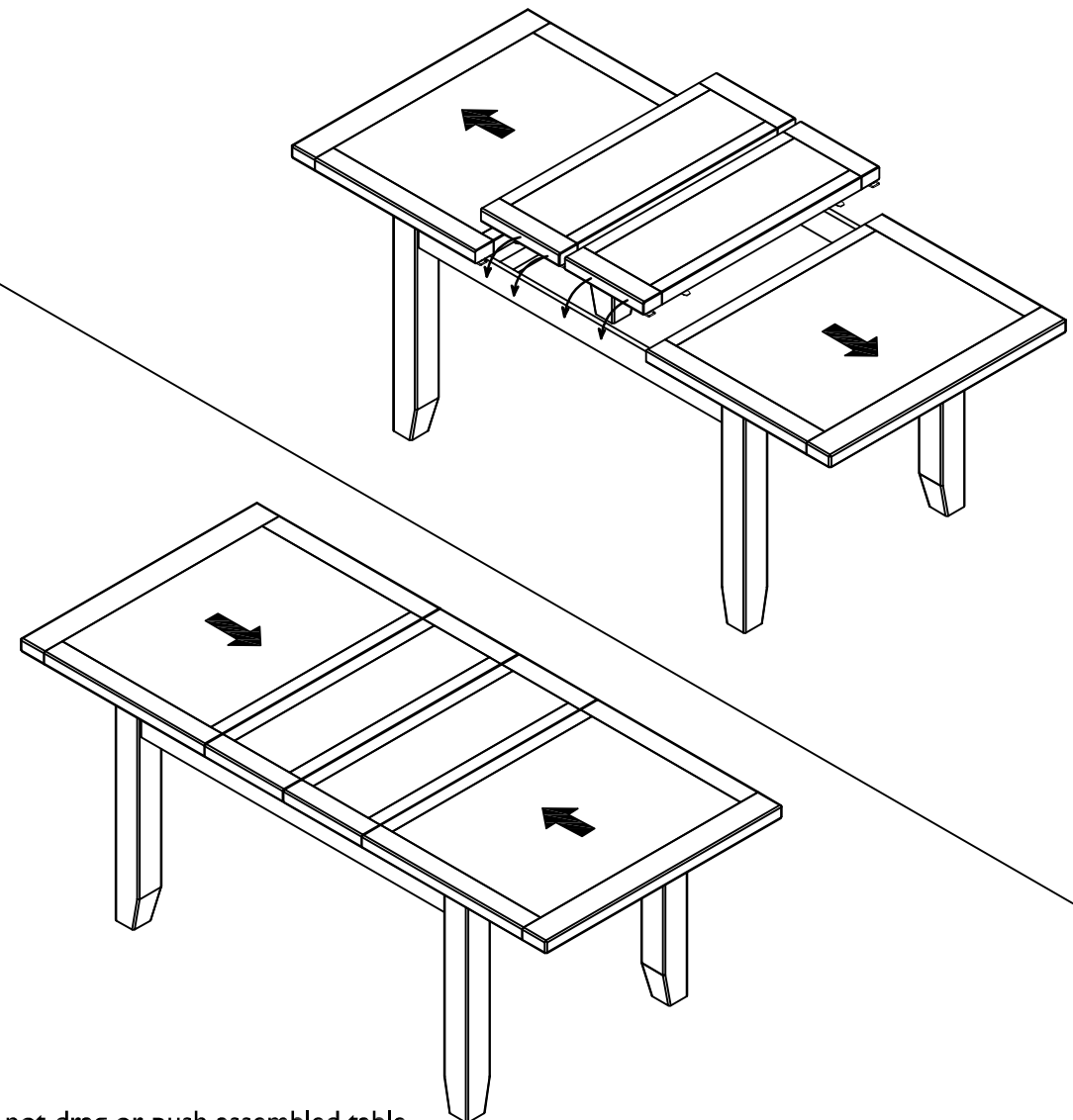
### HARDWARE LIST

No	Description	QTY
1	Bolt M10x50 	8
2	Flat Washer M10/M23 	8
3	Wrench 17mm 	1

Transit fixing to be unscrewed.  
Unscrew middle screw holding  
fixing to underside of top at each  
end of table.



NOTE: Please check the number on 4 pieces of the table,  
all must be the same.



Do not drag or push assembled table  
as this can cause damage to the legs