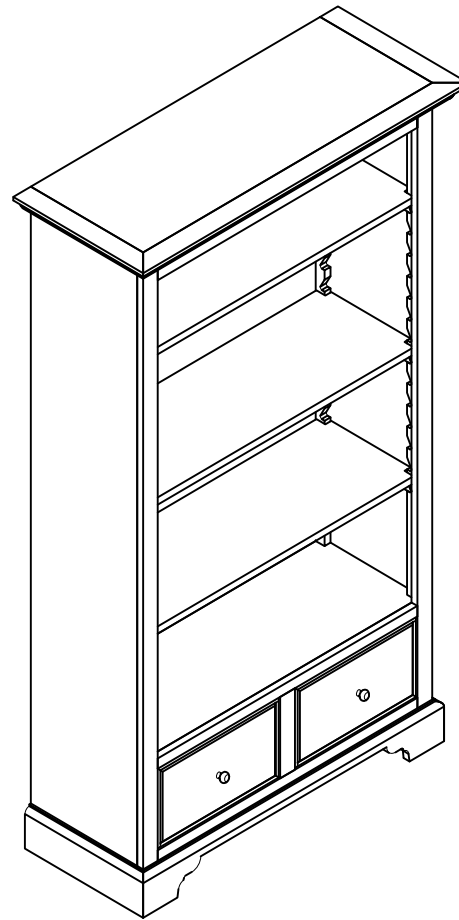


HARBOUR

LIFESTYLE

Instruction Manual for Large Bookcase

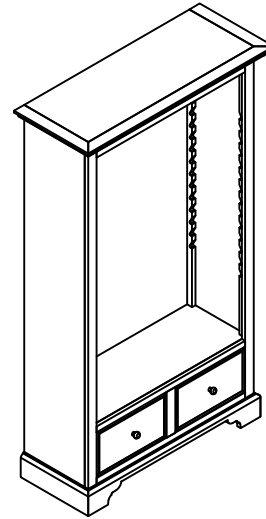
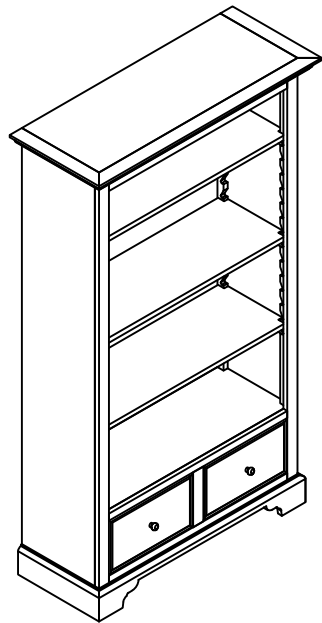


www.harbourlifestyle.co.uk

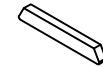
If you have any questions or require additional support, please contact the team at customerservices@harbourlifestyle.co.uk. Alternatively you can contact us via telephone on 0330 808 1744.

ASSEMBLY INSTRUCTIONS

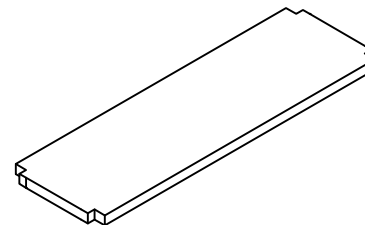
Large Bookcase



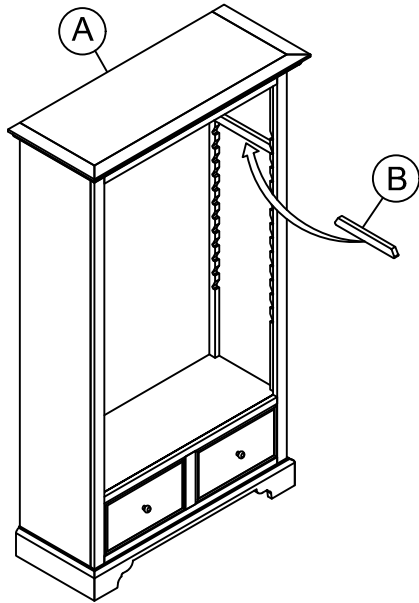
A x 1 : Hutch



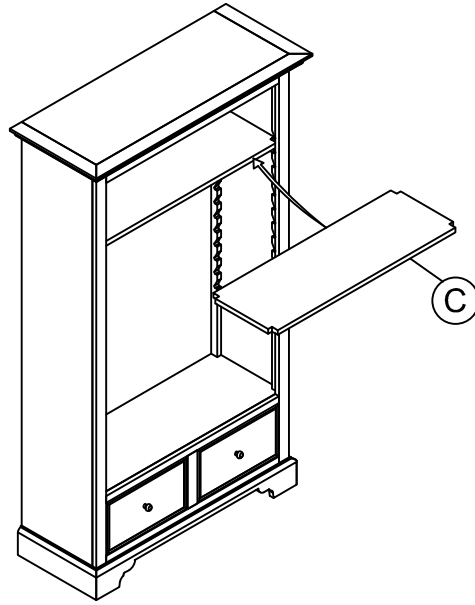
A x 4 : Support Rail



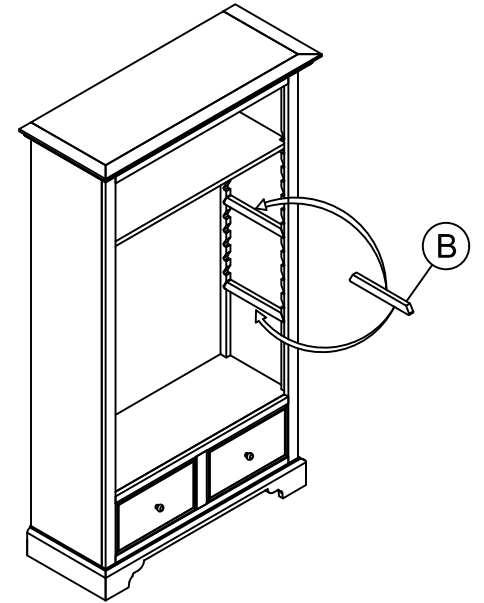
E x 2 : Shelf



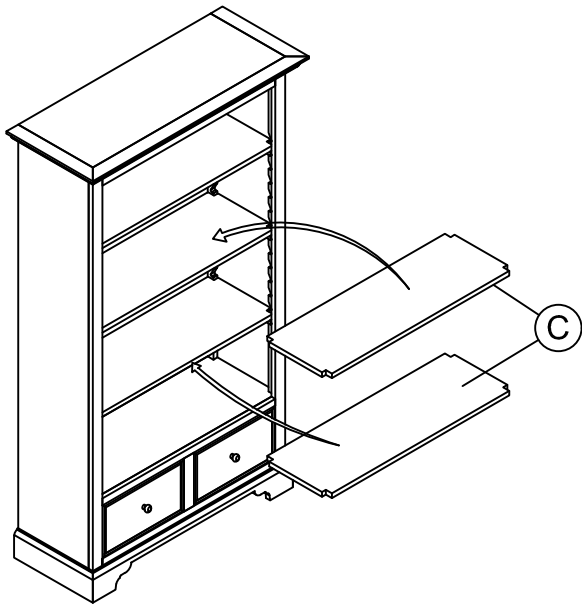
STEP 1



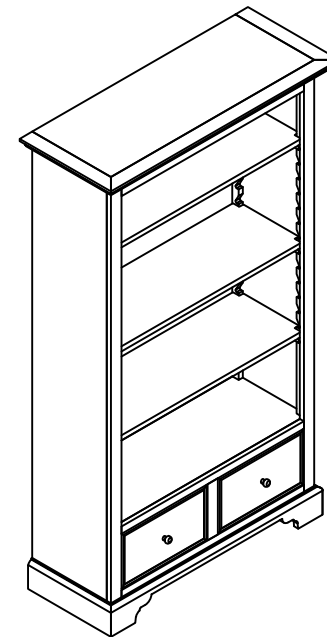
STEP 2



STEP 3



STEP 4



FINAL