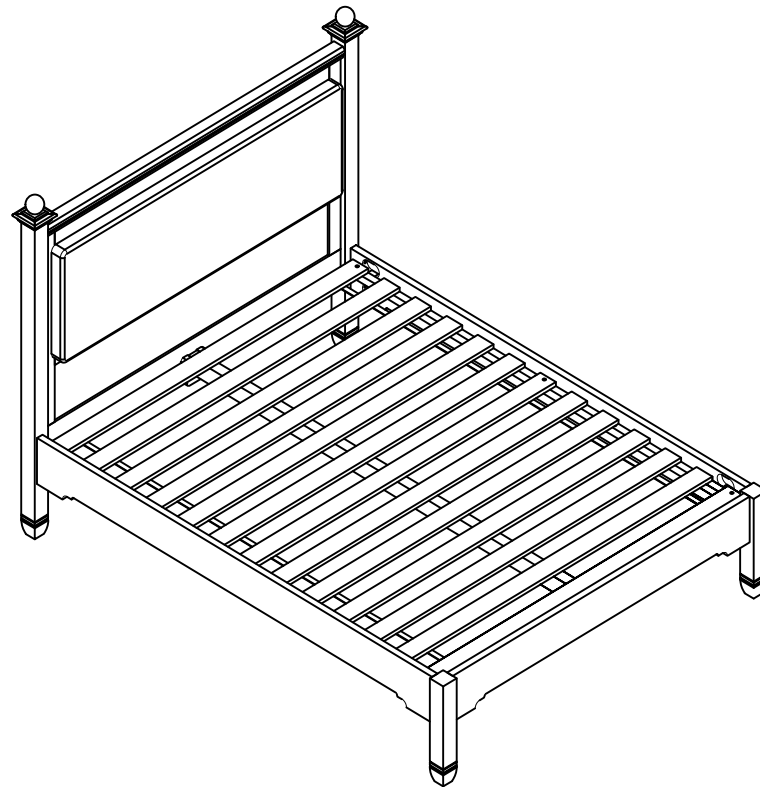


HARBOUR

LIFESTYLE

Instruction Manual for 4ft 6" High-End Double Bed








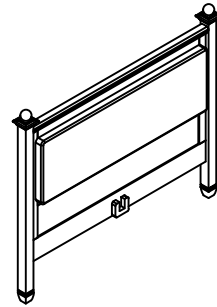
www.harbourlifestyle.co.uk

If you have any questions or require additional support, please contact the team at customerservices@harbourlifestyle.co.uk. Alternatively you can contact us via telephone on 0330 808 1744.

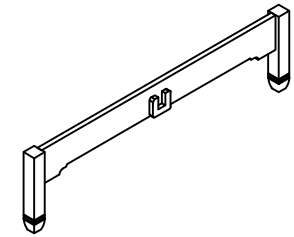
ASSEMBLY INSTRUCTIONS

4ft 6" High-End Double Bed Frame

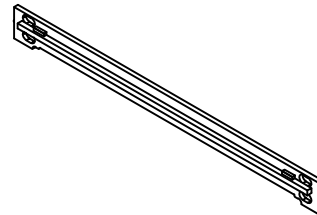
NO	LIST OF HARDWARE	Q.TY(pcs)
1	Threaded Bolt 5/ 16 x 110 	8
2	Half Moon Washer 	8
3	Nut 	8
4	Spanner 	1
5	Screw M4X30 	6



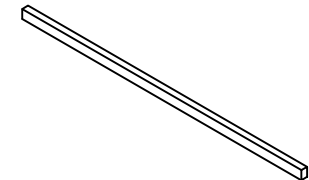
A x 1 : Head Board



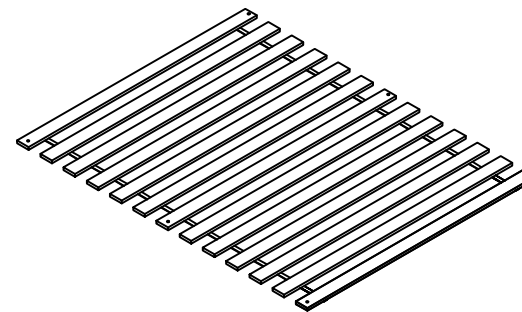
B x 1 : Foot Board



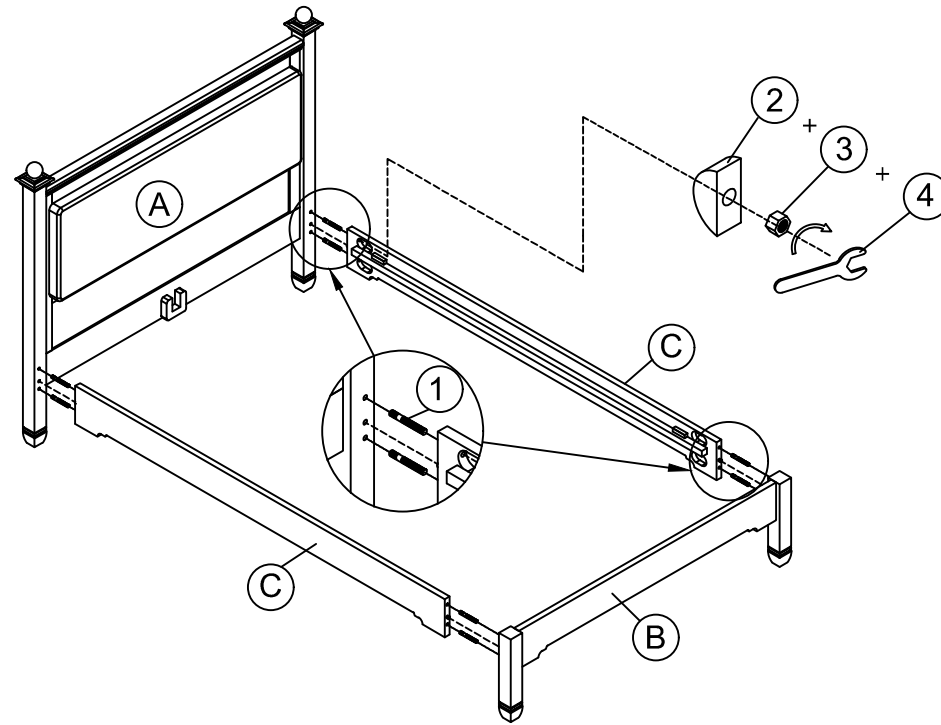
C x 2 : Side Rail



D x 1 : Center Rail

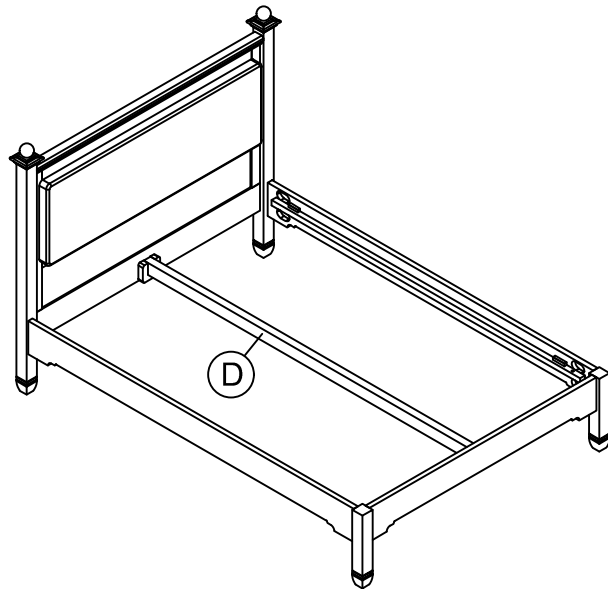


E x 13 : Slats

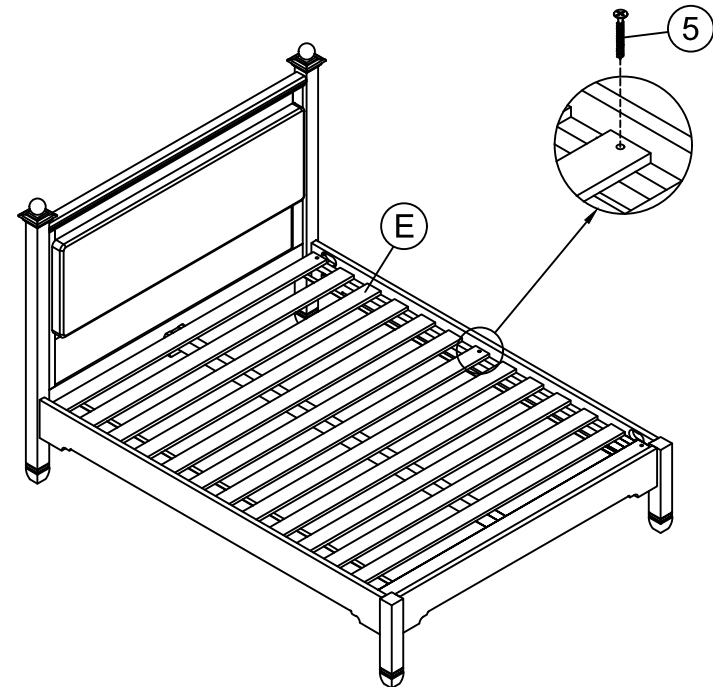


STEP 1

* NOTE :
 SIDE RAIL 1 HB or FB



STEP 2



STEP 3