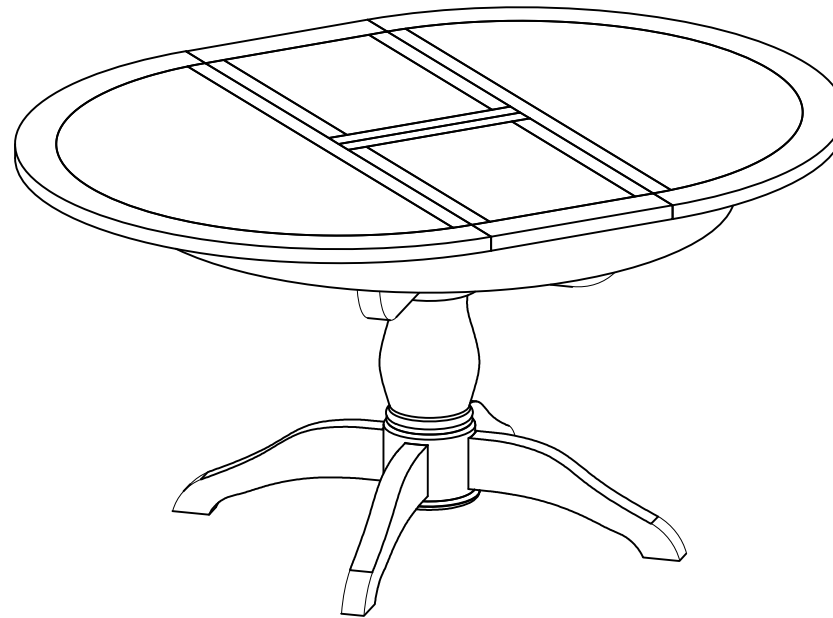


HARBOUR

LIFESTYLE

Instruction Manual for Round Extending Dining Table

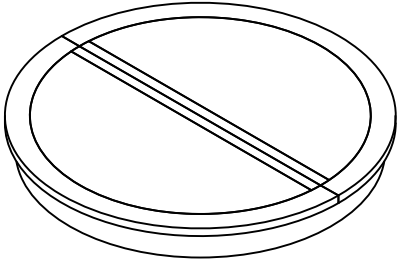
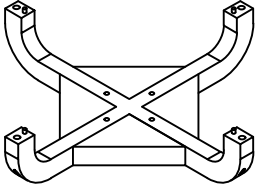









www.harbourlifestyle.co.uk

If you have any questions or require additional support, please contact the team at customerservices@harbourlifestyle.co.uk. Alternatively you can contact us via telephone on 0330 808 1744.

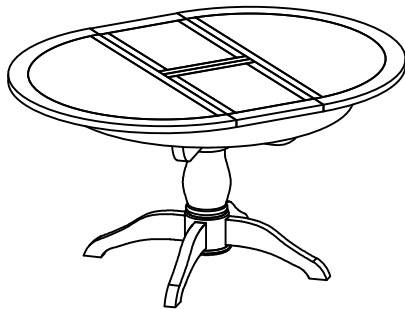
ASSEMBLY INSTRUCTIONS

Round Extending Dining Table

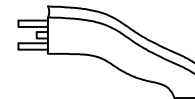
NO	LIST OF HARDWARE	Q.TY(pcs)		
1	Bolt M8 x 65 	8		
2	Allen key 4 	1		
3	Spring washer 	8		
4	Washer 	8		
5	Hex Nut 	8		
6	Spanner 	1		
7	Screw 4X30 	4		

A x 1 : Top frame

B x 1 : Support frame

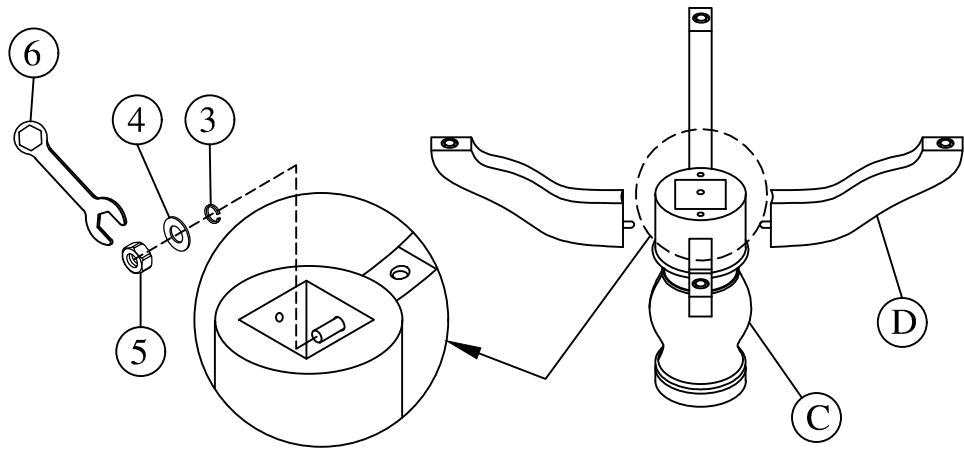


C x 1 : Pillar

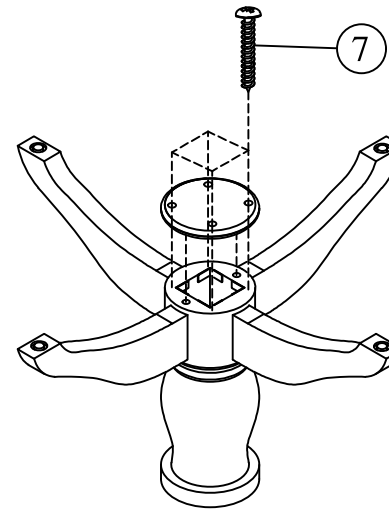


D x 4 : Leg

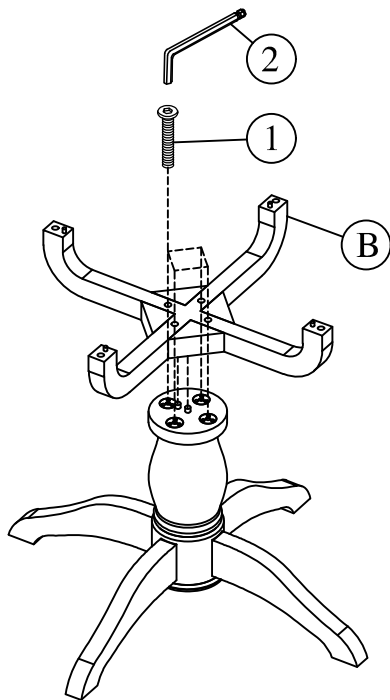
E x 1 : Bottom



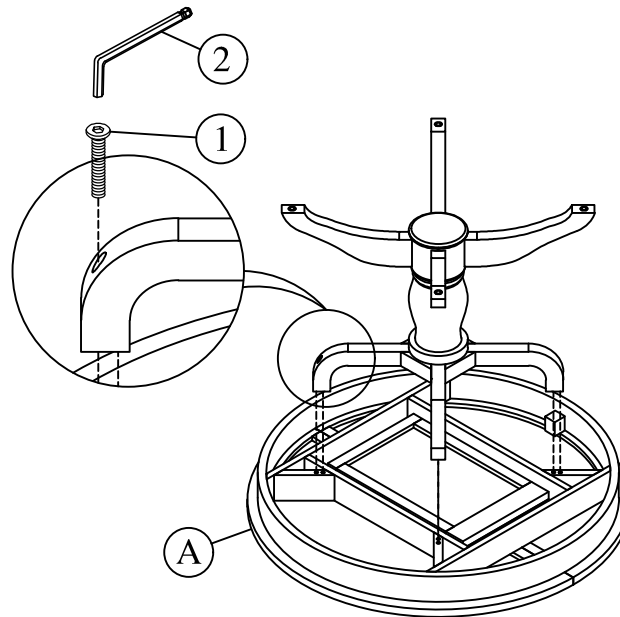
STEP 1



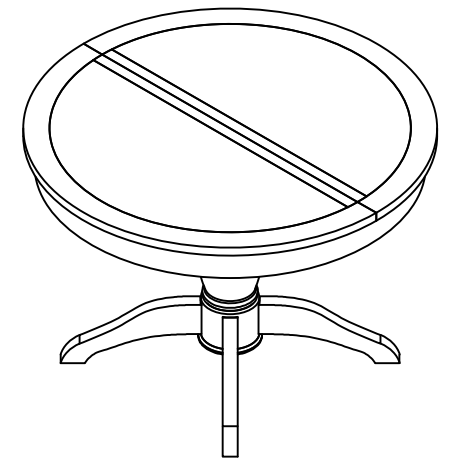
STEP 2



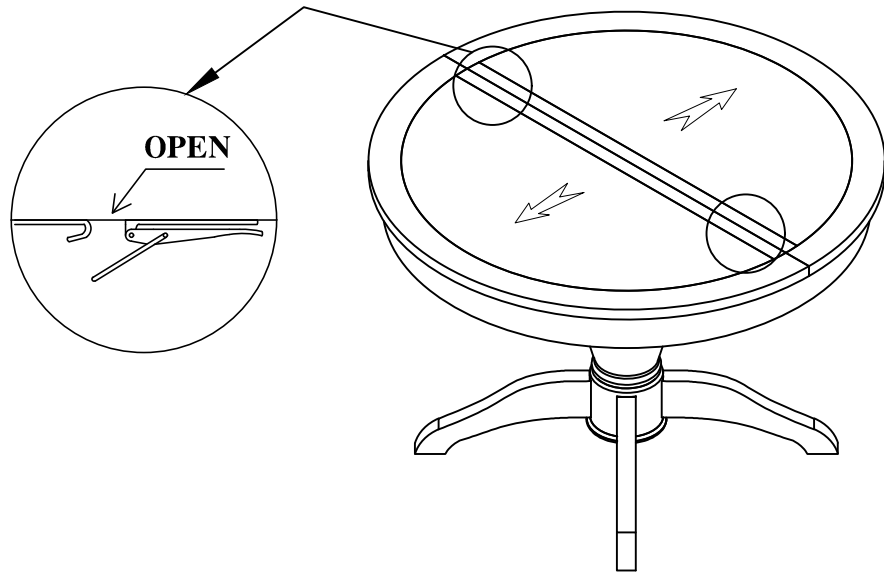
STEP 3



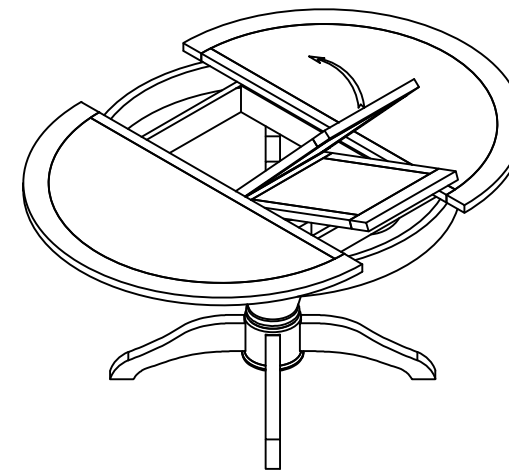
STEP 4



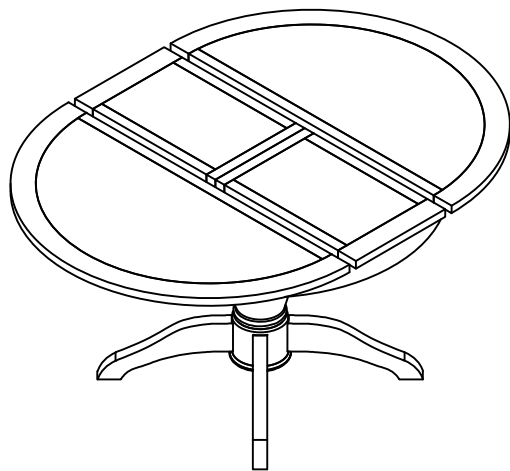
STEP 5



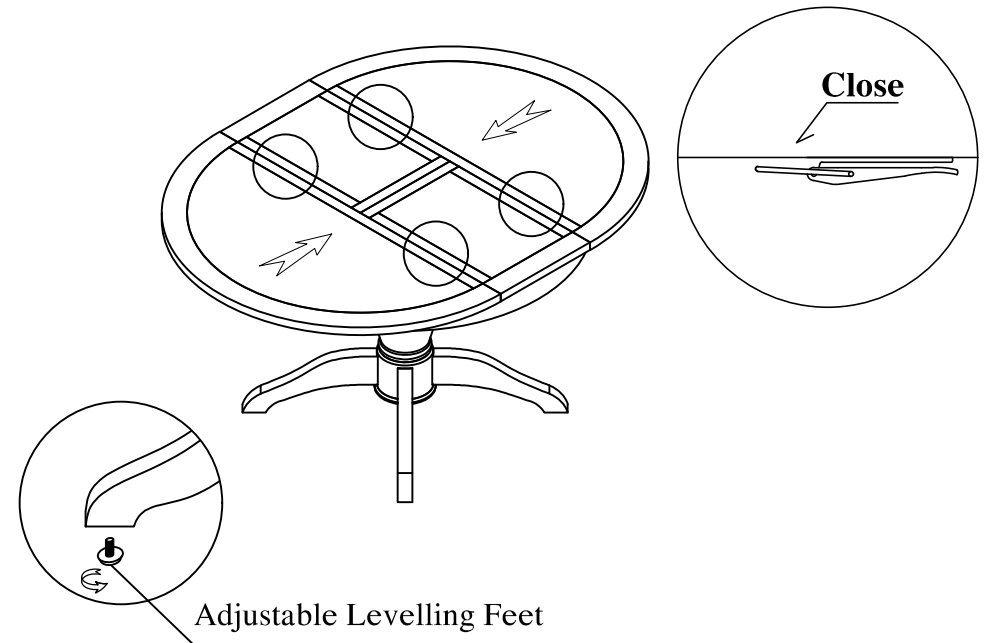
STEP 6



STEP 7



STEP 8



STEP 9